



**NEQ V2**

产品说明书

Product Specification

## 产品说明 Product introduction

NEO GPS V2产品属于配套CUAV V5+ Autopilot, 所全新推出的外设硬件。产品集成了GPS定位功能, 提供准确的地理定位信息。罗盘功能, 提供准确的方向信息。环形RGB状态灯, 提供识别飞控状态灯功能。蜂鸣器功能, 提供飞控状态声音提示功能。安全开关保护功能。

The NEO GPS V2 product is a new peripheral hardware that comes with the CUAV V5+ Autopilot. The product integrates GPS positioning to provide accurate geolocation information. The compass function provides accurate direction information. A ring-shaped RGB status light that provides the ability to recognize the flight status light. Buzzer function, providing flight control status sound prompt function. Safety switch protection.

接飞控GPS&SAFTETY接口  
Connect to the GPS &  
SAFTETY interface

GPS状态灯  
GPS status light



安全开关&灯  
Safety switch & light

机头朝向 Head orientation

## 芯片类型

GPS定位	UBLOX M8N
RGB状态灯	NCP5623C
电子罗盘	IST8310
蜂鸣器	无源蜂鸣器
安全开关	物理按键

## 定位性能

定位精度	3D定位
更新速率	10Hz(Max)
捕获速度	冷启动 26S   热启动 1.5S   辅助启动 2S   重新捕获 1S

接收类型	72通道 GPS/QZSS L1 C/A, 格格纳斯 L10F 北斗 B1I, 伽利略 E1B/C SBAS L1 C/A: WAAS, EGNOS, MSAS, GAGAN
灵敏度	追踪 & 导航 -167dBm 冷启动 -148dBm 热启动 -156dBm 重新捕获 -160dBm
功能特性	抗干扰强 搜索卫星速度快 数据安全与完整性保护 同时接收多达3个全球导航卫星系统

### 工作条件

输入电压	5V
环境温度	-10 - 70°C

## Chip Type

GPS Location	UBLOX M8N
RGB Status light	NCP5623C
Compass	IST8310
Buzzer	Passive buzzer
Safety switch	Physical buttons

## Positioning Performance

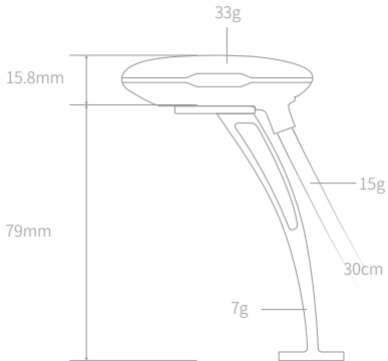
Accuracy	3D Fix
Update rate	10Hz(Max)
Acquisition	Cold Start 26S   Host Start 1.5S   Aided Start 2S   Reacquisition 1S

Receiver type	72 Channels GPS/QZSS L1 C/A, GLONASS L10F BeiDou B1I, Galileo E1B/C SBAS L1 C/A: WAAS, EGNOS, MSAS, GAGAN
Sensitivity	Tracking & Navigation -167dBm Cold Start -148dBm Hot Start -156dBm Reacquisition -160dBm
Functional	Advanced jamming Fast search satellite speed Security and integrity protection Receiving up to three GNSS at the same time

### **Working Conditions**

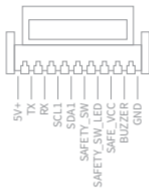
Input voltage	5V
Temperature	-10 - 70°C

## 尺寸重量 Size&Weight





## 接口定义 Interface definition



## 注意事项 Noted

- 请仔细阅读产品的使用说明书
- 请正确安装支架位置
- 请不要暴力损坏产品
- Please read the instruction manual of the product carefully
- Please install the bracket position correctly
- Please do not violently damage the product

## 产品认证 Product certified



产品已通过CE安全认证

The product has passed CE safety certification



产品已通过ISO 9001质量管理体系认证

The product has passed ISO 9001 quality management system certification

## 配件清单 Packing list

NEO GPS V2模块	NEO GPS V2 Module	X1
NEO GPS V2支架	NEO GPS V2 bracket	X1

## 相关资料 Relevant information

产品使用教程, 请访问官方文档中心: <http://doc.cuav.net>

Product use tutorial, please visit the official documentation center:  
<http://doc.cuav.net>



[WWW.CUAV.NET](http://WWW.CUAV.NET)